

# Brake Caliper DT 500 FEA ... NC

spring activated – electrohydraulically released  
 Drum Brake according to DIN 15 435



Figure shows product with full equipment

96-1

Features	Code
Brake Caliper	D
Drum Brake	T
Frame size 500	500
Spring activated	F
Electrohydraulically released	E
Automatic adjustment to accommodate friction block wear	A
Thrusters 455 or 456 are available	455 456
Material: cast	NC

### Example for ordering

Brake Caliper DT 500 FEA, thrustor 456, material: cast

DT 500 FEA - 456 - NC

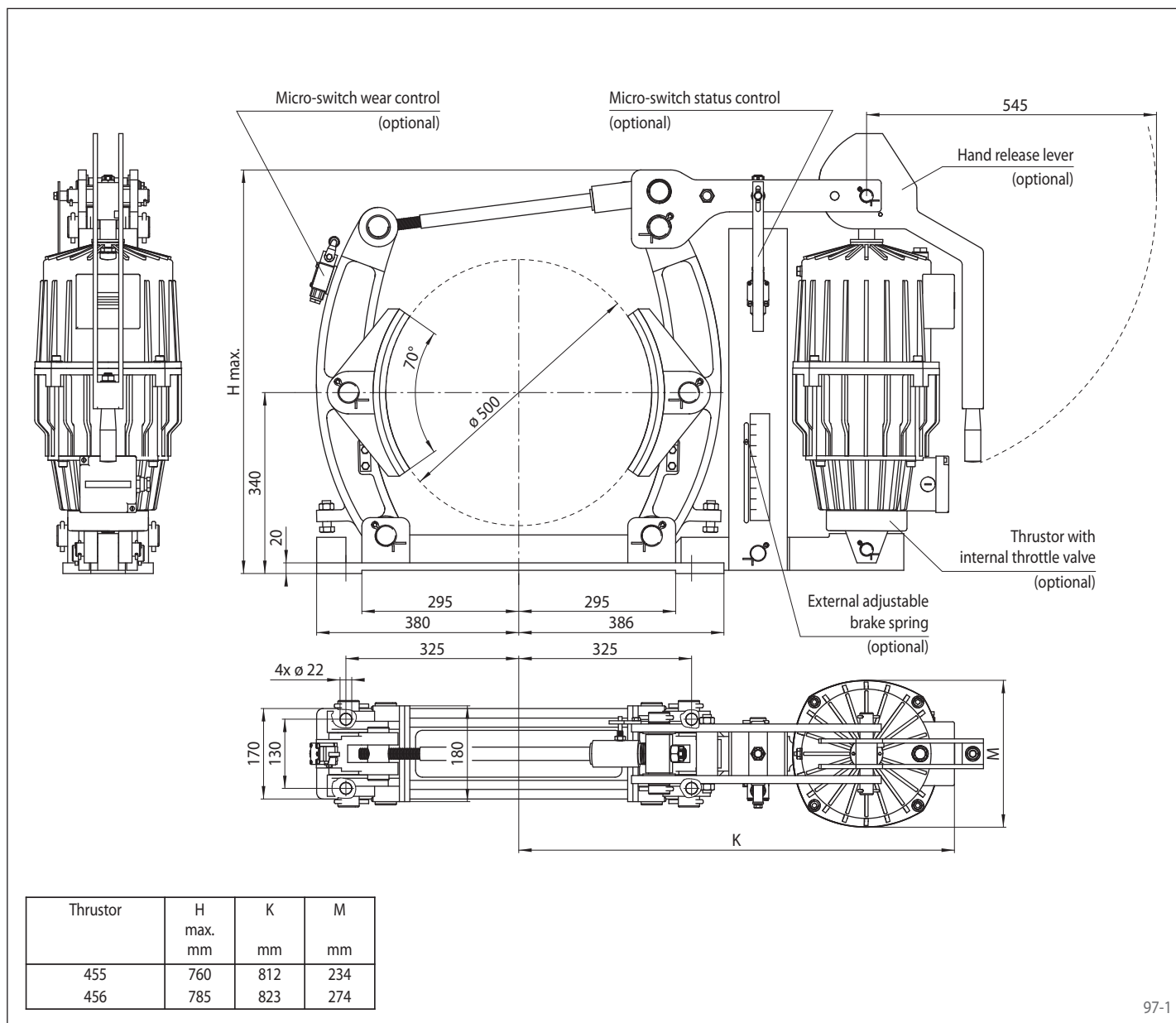
## Technical Data

	Brake Caliper DT 500 FEA ... NC	
	with thrustor 455	with thrustor 456
Brake drum diameter	Braking torque	Braking torque
mm	Nm	Nm
500	2500	4170
Clamping force	12500 N	20800 N
Braking torque adjustable (optional)	20 - 100%	20 - 100%
Nominal power	370 W	590 W
Oil volume	4,5 l	11 l
Voltage	230/400 V	230/400 V
Weight	130 kg	156 kg

The braking torques shown in the table are based on a theoretical friction coefficient of 0,4.

# Brake Caliper DT 500 FEA ... NC

spring activated – electrohydraulically released  
Drum Brake according to DIN 15 435



97-1

## Options

- External adjustable brake spring
- Micro-switch wear control
- Micro-switch status control
- Hand release lever
- Thrustor with internal throttle valve
- Thrustor in heat resistant design
- Corrosion protected design
- Wider brake shoes and brake drums